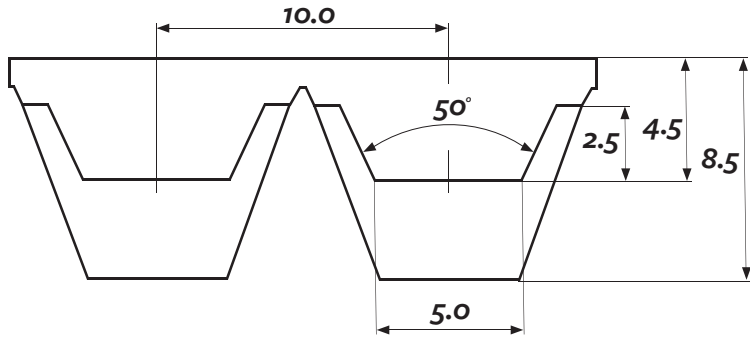


ATK10 K13 Steel Cords



FLEX = Truly endless
 M = Open length
 V = Endless with a splice

Product details

| | |
|-----------------------|----------------------------|
| Hardness : | 92 °Shore A |
| Tensile members : | Steel Ø0.9mm |
| Width tolerance : | ± 0.5mm |
| Thickness tolerance : | ± 0.3mm |
| Length tolerance : | ± 0.8mm/meter |
| Weight per meter : | ± 67g /per 10mm belt width |

Minimum Pulley diameter

| Min. nr. of teeth | Min. nr. of teeth | Idler min Ø | Min. nr. of teeth | Idler min Ø |
|-------------------|-------------------|-------------|-------------------|-------------|
| 25 | 25 | 120mm | 25 | 60mm |
| | | | | |

Allowable Tensile Load (N)

| Belt width | M | V | FLEX |
|------------|--------|-------|------|
| 32 | 5.120 | 2.560 | |
| 50 | 7.680 | 3.840 | |
| 75 | 12.720 | 6.360 | |
| 100 | 17.280 | 8.640 | |
| | | | |
| | | | |
| | | | |
| | | | |

Breaking Load (N)

| Belt width | M | V | FLEX |
|------------|--------|--------|------|
| 32 | 20.260 | 10.130 | |
| 50 | 30.400 | 15.200 | |
| 75 | 50.350 | 25.170 | |
| 100 | 68.400 | 34.200 | |
| | | | |
| | | | |
| | | | |
| | | | |

The specifications listed are based on NK-Technics experience. However, our specifications and data do not cover all possible belts drive conditions. It is the responsibility of the belt drive system engineer to ensure NK-Technics belts are appropriate for a given system and application. The provided data represent our in-house experience and does not necessarily match product performance in industrial use. NK-Technics cannot assume any liability concerning the suitability and process ability of our products. We also cannot assume liability for process results, damage or consequential damages associated with the use of our products.

Do not use NK-Technics.com belts in applications that depend solely upon the belt to raise/lower, support or sustain a mass without an independent safety backup system.

ALL INFORMATION CONTAINED ARE SUBJECT TO CHANGE WITHOUT NOTICE.