

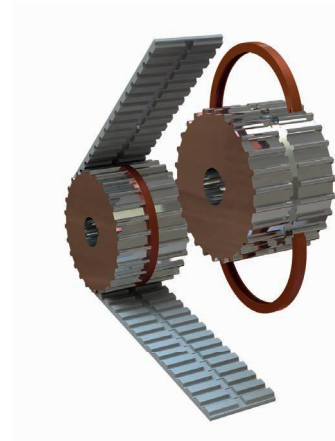


EASY DRIVE®

DIE INNOVATIVE
LÖSUNG FÜR DEN
TRANSPORT

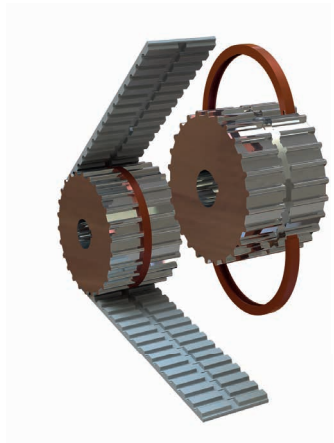
Mit der Einführung des Patent-Produktes
easy drive® lassen sich völlig neue kosten-
und ressourcenschonende Lösungen für die
unterschiedlichsten Aufgabenstellungen umsetzen.

EASY DRIVE FÜR T2 – PROFIL



ZAHNSCHEIBENTYP	DK	RINGGRÖSSE(N)	RINGDURCHMESSER
T2-34Z	21.1	21	21
T2-35Z	21.73	21,00/22,10	21.55
T2-36Z	22.37	22.1	22.1
T2-37Z	23	22,10/23,05	22.58
T2-38Z	23.64	23,05/24,20	23.63
T2-39Z	24.28	24.2	24.2
T2-44Z	27.46	27.35	27.35
T2-45Z	28.1	27,35/28,90	28.13
T2-47Z	29.37	28.9	28.9
T2-49Z	30.64	30.5	30.5
T2-52Z	32.55	30,50/33,80	32.15
T2-54Z	33.83	33.8	33.8
T2-56Z	35.1	33,80/36,10	34.95
T2-58Z	36.37	36.1	36.1
T2-59Z	37.01	36.83	36.83
T2-60Z	37.65	36,83/38,20	37.52
T2-61Z	38.28	38.2	38.2
T2-63Z	39.56	39,00/40,05	39.53
T2-64Z	40.19	40.05	40.05

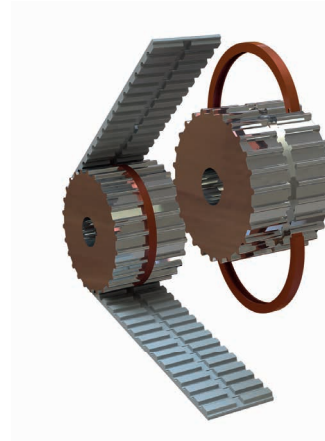
EASY DRIVE FÜR T2,5 — PROFIL



ZAHNSCHEIBENTYP	DK	RINGGRÖSSE(N)	RINGDURCHMESSER
T2,5-29Z	22.55	22,10/23,05	22.58
T2,5-30Z	23.35	22,10/24,20	23.15
T2,5-31Z	24.15	24.2	24.2
T2,5-33Z	25.75	24,20/27,35	25.78
T2,5-35Z	27.35	27.35	27.35
T2,5-36Z	28.15	27,35/28,90	28.13
T2,5-37Z	28.9	28.9	28.9
T2,5-39Z	30.5	30.5	30.5
T2,5-40Z	31.1	30.5	30.5
T2,5-41Z	32.1	30,50/33,80	32.15
T2,5-43Z	33.7	33.8	33.8
T2,5-45Z	35.3	33,80/36,10	34.95
T2,5-46Z	36.1	36.1	36.1
T2,5-47Z	36.9	36.83	36.83
T2,5-48Z	37.7	36,83/38,20	37.52
T2,5-49Z	38.45	38.2	38.2
T2,5-50Z	39.25	39	39
T2,5-51Z	40.05	40.05	40.05
T2,5-52Z	40.85	39,00/42,15	40.58
T2,5-53Z	41.65	41.3	41.3
T2,5-54Z	42.45	42.15	42.15
T2,5-55Z	43.25	43.25	43.25
T2,5-56Z	44.05	43.25	43.25
T2,5-57Z	44.85	43,25/45,84	44.55
T2,5-58Z	45.65	45.84	45.84
T2,5-59Z	46.45	45,84/46,55	46.2
T2,5-60Z	47.25	45,84/48,90	47.37
T2,5-61Z	48.05	46,55/49,70	48.13
T2,5-62Z	48.8	48.9	48.9
T2,5-63Z	49.6	48,90/49,70	49.3
T2,5-64Z	50.4	49.7	49.7
T2,5-67Z	52.8	49,70/55,20	52.45
T2,5-70Z	55.2	55.2	55.2

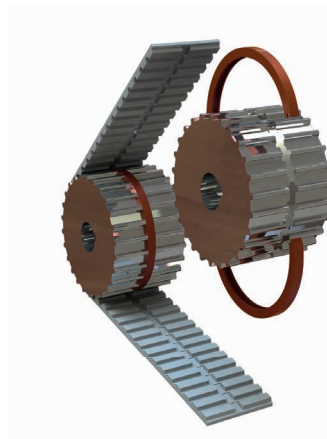
ZAHNSCHEIBENTYP	DK	RINGGRÖSSE(N)	RINGDURCHMESSER
T2,5-71Z	56.05	56.02	56.02
T2,5-72Z	56.8	55,20/58,35	56.78
T2,5-73Z	57.6	56,02/58,35	57.19
T2,5-74Z	58.35	58.35	58.35
T2,5-75Z	59.15	58.35	58.35
T2,5-76Z	59.95	58,35/61,80	60.08
T2,5-77Z	60.75	58,35/62,35	60.35
T2,5-79Z	62.35	61,80/62,35	62.08
T2,5-80Z	63.15	62.35	62.35
T2,5-81Z	63.95	62,35/65,48	63.92
T2,5-82Z	64.75	62,35/65,48	63.92
T2,5-83Z	65.55	65.48	65.48
T2,5-84Z	66.35	65.48	65.48
T2,5-85Z	67.15	65,48/68,80	67.14
T2,5-86Z	67.95	68.15	68.15
T2,5-87Z	68.7	68,15/68,80	68.48
T2,5-88Z	69.5	68.8	68.8
T2,5-90Z	71.1	68,80/74,30	71.55
T2,5-91Z	71.9	68,80/74,30	71.55
T2,5-94Z	74.3	74.3	74.3
T2,5-95Z	75.1	75.05	75.05
T2,5-96Z	75.9	74,30/77,57	75.94
T2,5-97Z	76.7	75,05/77,57	76.31
T2,5-98Z	77.5	77.57	77.57
T2,5-100Z	79.05	77,57/80,90	79.24
T2,5-102Z	80.65	80.9	80.9
T2,5-104Z	82.25	80,90/84,10	82.5
T2,5-105Z	83.05	80,90/84,10	82.5
T2,5-106Z	83.85	80,90/87,25	84.08
T2,5-107Z	84.65	84.1	84.1
T2,5-109Z	86.25	84,10/87,25	85.68
T2,5-110Z	87.05	87.25	87.25
T2,5-111Z	87.25	87.25	87.25
T2,5-114Z	90.2	87,25/93,65	90.45

EASY DRIVE FÜR T5 — PROFIL



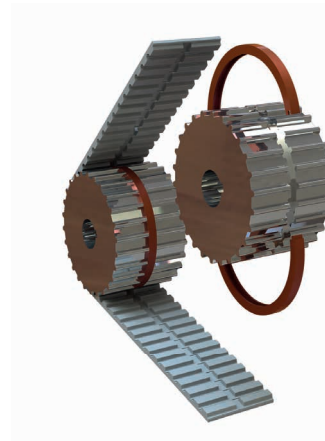
ZAHNSCHEIBENTYP	DK	RINGGRÖSSE(N)	RINGDURCHMESSER
T5-14Z	21.45	21	21
T5-15Z	23.05	23.05	23.05
T5-16Z	24.6	24.2	24.2
T5-18Z	27.8	27.35	27.35
T5-19Z	29.4	28.9	28.9
T5-20Z	31	30.5	30.5
T5-21Z	32.6	30,50/33,80	32.15
T5-22Z	34.15	33.8	33.8
T5-24Z	37.35	36,10/38,20	37.15
T5-25Z	38.95	39	39
T5-26Z	40.55	40.05	40.05
T5-27Z	42.15	42.15	42.15
T5-28Z	43.75	43.25	43.25
T5-30Z	46.9	46.55	46.55
T5-31Z	48.5	46,55/49,70	48.13
T5-32Z	50.1	49.7	49.7
T5-36Z	56.45	56.02	56.02
T5-37Z	58.05	56,02/58,35	57.19
T5-39Z	61.25	58,35/62,35	60.35
T5-40Z	62.85	62.35	62.35
T5-41Z	64.4	62,35/65,48	63.92
T5-42Z	66	65.48	65.48
T5-43Z	67.6	65,48/68,80	67.14
T5-44Z	69.2	68.8	68.8
T5-48Z	75.55	75.05	75.05
T5-49Z	77.15	75,05/77,57	76.31
T5-58Z	91.5	87,25/94,13	90.69
T5-60Z	94.65	94.13	94.13
T5-95Z	150.4	150.83	150.83

EASY DRIVE FÜR T10 – PROFIL



ZAHNSCHEIBENTYP	DK	RINGGRÖSSE(N)	RINGDURCHMESSER
T10-12Z	36.35	36.1	36.1
T10-13Z	39.55	38,20/40,05	39.13
T10-14Z	42.7	41,30/43,25	42.28
T10-15Z	45.9	45.84	45.84
T10-16Z	49.1	48.9	48.9
T10-17Z	52.25	49,70/55,20	52.45
T10-18Z	55.45	55,20/56,02	55.61
T10-19Z	58.65	58.35	58.35
T10-20Z	61.8	61.8	61.8
T10-22Z	68.2	68.15	68.15
T10-23Z	71.35	68,80/74,30	71.55
T10-24Z	74.55	74.3	74.3
T10-25Z	77.75	77.57	77.57
T10-26Z	80.9	80.9	80.9
T10-27Z	84.1	84.1	84.1
T10-28Z	87.25	87.25	87.25
T10-29Z	90.45	87,25/93,65	90.45
T10-30Z	93.65	93.65	93.65
T10-31Z	96.8	93,65/100,00	96.83
T10-32Z	100	100	100
T10-34Z	106.35	100,00/112,75	106.38
T10-36Z	112.75	112.75	112.75
T10-38Z	119.1	112,75/125,45	119.1
T10-40Z	125.45	125.45	125.45
T10-42Z	131.85	125,45/138,20	131.83
T10-44Z	138.2	138.2	138.2
T10-46Z	144.5	138,20/150,83	144.52
T10-48Z	150.95	150.83	150.83

EASY DRIVE FÜR AT3 — PROFIL

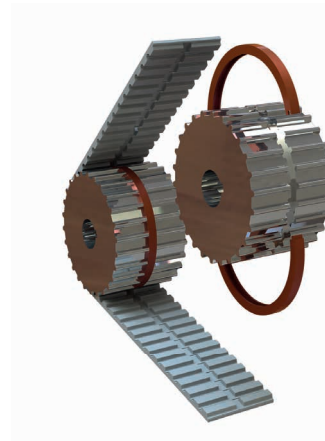


ZAHNSCHEIBENTYP	DK	RINGGRÖSSE(N)	RINGDURCHMESSER
AT3-23Z	21.55	21,00/22,10	21.55
AT3-24Z	22.51	22,10/23,05	22.58
AT3-25Z	23.46	23,05/24,20	23.63
AT3-26Z	24.42	24.2	24.2
AT3-28Z	26.33	24,20/27,35	25.78
AT3-29Z	27.28	27.35	27.35
AT3-30Z	28.24	27,35/28,90	28.13
AT3-31Z	29.19	28.9	28.9
AT3-33Z	31.1	30.5	30.5
AT3-34Z	32.06	30,50/33,80	32.15
AT3-36Z	33.97	33.8	33.8
AT3-37Z	34.92	33,80/36,10	34.95
AT3-39Z	36.83	36,10/36,83	36.47
AT3-40Z	37.79	36,83/38,20	37.52
AT3-41Z	38.74	38,20/39,00	38.6
AT3-42Z	39.7	39,00/40,05	39.53
AT3-43Z	40.65	39,00/42,15	40.58
AT3-44Z	41.61	41.3	41.3
AT3-45Z	42.65	41,30/43,25	42.28
AT3-46Z	43.52	43.25	43.25
AT3-47Z	44.47	43,25/45,84	44.55
AT3-49Z	46.83	46.55	46.55
AT3-50Z	47.34	45,84/48,90	47.37
AT3-51Z	48.29	46,55/49,70	48.13
AT3-52Z	49.25	48.9	48.9
AT3-53Z	50.2	49.7	49.7
AT3-56Z	53.07	49,70/55,20	52.45
AT3-58Z	54.98	55.2	55.2
AT3-59Z	55.93	55,20/56,02	55.61
AT3-60Z	56.89	55,20/58,35	56.78
AT3-61Z	57.84	56,02/58,35	57.19
AT3-62Z	58.8	58.35	58.35
AT3-64Z	60.71	58,35/62,35	60.35



ZAHNSCHEIBENTYP	DK	RINGGRÖSSE(N)	RINGDURCHMESSER
AT3-65Z	61.66	61.8	61.8
AT3-66Z	62.62	62.35	62.35
AT3-67Z	63.57	61,80/65,48	63.64
AT3-68Z	64.53	62,35/65,48	63.92
AT3-69Z	65.48	65.48	65.48
AT3-71Z	67.39	65,48/68,80	67.14
AT3-72Z	68.34	68.15	68.15
AT3-73Z	69.3	68.8	68.8
AT3-75Z	71	68,80/74,30	71.55
AT3-76Z	72.16	68,80/74,30	71.55
AT3-78Z	74.07	74.3	74.3
AT3-79Z	75.05	75.05	75.05
AT3-80Z	75.98	74,30/77,57	75.94
AT3-81Z	76.94	75,05/77,57	76.31
AT3-82Z	77.89	77.57	77.57
AT3-83Z	78.85	77,57/80,90	79.24
AT3-85Z	80.76	80.9	80.9
AT3-87Z	82.67	80,90/84,10	82.5
AT3-89Z	84.58	84.1	84.1
AT3-90Z	85.53	84,10/87,25	85.68
AT3-92Z	87.44	87.25	87.25
AT3-95Z	90.31	87,25/93,65	90.45
AT3-96Z	91.26	87,25/94,13	90.69
AT3-99Z	94.13	94.13	94.13
AT3-102Z	96.99	93,65/100,00	96.83
AT3-105Z	99.86	100	100
AT3-112Z	106.54	100,00/112,75	106.38

EASY DRIVE FÜR AT5 — PROFIL

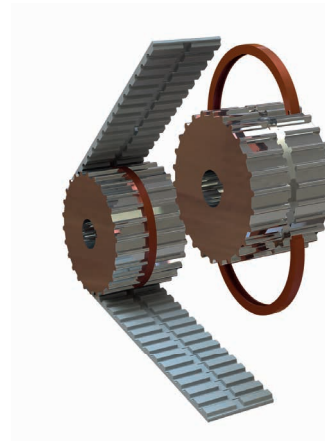


ZAHNSCHEIBENTYP	DK	RINGGRÖSSE(N)	RINGDURCHMESSER
AT5-14Z	21.05	21	112427
AT5-15Z	22.65	22.58	112473
AT5-16Z	24.24	24.2	112430
AT5-17Z	25.84	25.78	112476
AT5-18Z	27.43	27.35	112431
AT5-19Z	29.02	28.9	112432
AT5-20Z	30.61	30.5	112433
AT5-21Z	32.2	32.15	112478
AT5-22Z	33.79	33.8	112434
AT5-23Z	35.39	34.95	112479
AT5-24Z	36.98	36.83	112436
AT5-25Z	38.57	38.2	112437
AT5-26Z	40.16	40.05	112439
AT5-27Z	41.75	41.3	112440
AT5-28Z	43.34	43.25	112442
AT5-29Z	44.93	44.55	112491
AT5-30Z	46.53	46.55	112444
AT5-31Z	48.12	48.13	112495
AT5-32Z	49.71	49.7	112446
AT5-34Z	52.89	52.45	112497
AT5-36Z	56.08	56.02	112448
AT5-37Z	57.67	57.19	112500
AT5-39Z	60.85	60.35	112502
AT5-40Z	62.44	62.35	112451
AT5-41Z	64.03	63.92	112505
AT5-42Z	65.63	65.48	112452
AT5-43Z	67.22	67.14	112507
AT5-44Z	68.81	68.8	112454
AT5-46Z	71.99	71.55	112509
AT5-48Z	75.17	75.05	112456
AT5-49Z	76.77	76.31	112511
AT5-53Z	83.13	82.5	112513
AT5-54Z	84.72	84.1	112459



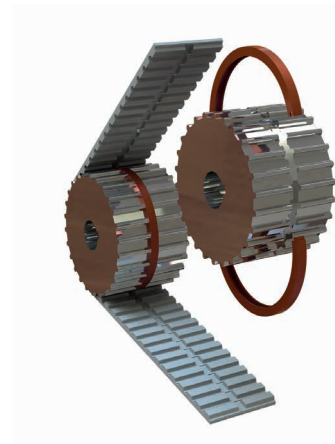
ZAHNSCHEIBENTYP	DK	RINGGRÖSSE(N)	RINGDURCHMESSER
AT5-55Z	86.32	85.68	112515
AT5-56Z	87.96	87.25	112460
AT5-58Z	91.09	90.69	112517
AT5-60Z	94.27	94.13	112462
AT5-62Z	97.46	97.07	112519
AT5-64Z	100.64	100	112463
AT5-68Z	107.01	106.38	112520
AT5-72Z	113.37	112.75	112.75
AT5-80Z	126.1	125.45	125.45
AT5-84Z	132.47	125,45/138,20	131.83
AT5-88Z	138.84	138.2	138.2

EASY DRIVE FÜR AT10 — PROFIL



ZAHNSCHEIBENTYP	DK	RINGGRÖSSE(N)	RINGDURCHMESSER
AT10-12Z	36.35	36.1	36.1
AT10-13Z	39.55	38,20/40,05	39.13
AT10-14Z	42.7	41,30/43,25	42.28
AT10-15Z	45.93	45.84	45.84
AT10-16Z	49.11	48.9	48.9
AT10-17Z	52.29	49,70/55,20	52.45
AT10-18Z	55.48	55.2	55.2
AT10-19Z	58.66	58.35	58.35
AT10-20Z	61.84	61.8	61.8
AT10-22Z	68.21	68.15	68.15
AT10-23Z	71.39	68,80/74,30	71.55
AT10-24Z	74.57	74.3	74.3
AT10-25Z	77.76	77.57	77.57
AT10-26Z	80.94	80.9	80.9
AT10-27Z	84.12	84.1	84.1
AT10-28Z	87.31	87.25	87.25
AT10-29Z	90.49	87,25/93,65	90.45
AT10-30Z	93.67	93.65	93.65
AT10-31Z	96.86	93,65/100,00	96.83
AT10-32Z	100.04	100	100
AT10-34Z	106.41	100,00/112,75	106.38
AT10-36Z	112.77	112.75	112.75
AT10-38Z	119.14	112,75/125,45	119.1
AT10-40Z	125.5	125.45	125.45
AT10-42Z	131.87	125,45/138,20	131.83
AT10-44Z	138.24	138.2	138.2
AT10-46Z	144.6	138,20/150,83	144.52
AT10-48Z	150.92	150.83	150.83

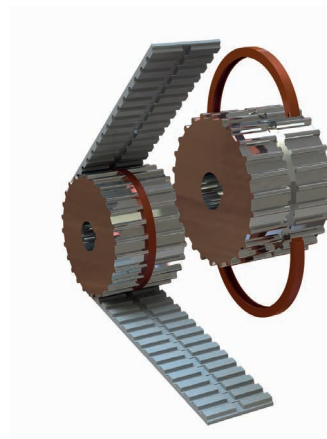
EASY DRIVE FÜR HTD 3M – PROFIL



ZAHNSCHEIBENTYP	DK	RINGGRÖSSE(N)	RINGDURCHMESSER
HTD3-23Z	21.2	21	21
HTD3-24Z	22.16	22.1	22.1
HTD3-25Z	23.11	23.05	23.05
HTD3-26Z	24.07	24.2	24.2
HTD3-28Z	25.98	24,20/27,35	25.78
HTD3-31Z	28.84	28.9	28.9
HTD3-33Z	30.75	30.5	30.5
HTD3-35Z	32.66	30,50/33,80	32.15
HTD3-36Z	33.62	33.8	33.8
HTD3-38Z	35.53	33,80/36,10	34.95
HTD3-39Z	36.48	36.1	36.1
HTD3-40Z	37.44	36.83	36.83
HTD3-41Z	38.39	38.2	38.2
HTD3-42Z	39.35	39	39
HTD3-43Z	40.3	40.05	40.05
HTD3-44Z	41.26	40,05/42,15	41.1
HTD3-45Z	42.21	42.15	42.15
HTD3-46Z	43.17	43.25	43.25
HTD3-48Z	45.08	43,25/45,84	44.55
HTD3-49Z	46.03	45.84	45.84
HTD3-50Z	46.99	46.55	46.55
HTD3-51Z	47.94	46,55/48,90	47.73
HTD3-52Z	48.9	48.9	48.9
HTD3-53Z	49.85	49.7	49.7
HTD3-56Z	52.72	49,70/55,20	52.45
HTD3-59Z	55.58	55.2	55.2
HTD3-60Z	56.54	56.02	56.02
HTD3-61Z	57.49	56,02/58,35	57.19
HTD3-62Z	58.45	58.35	58.35
HTD3-64Z	60.36	58,35/61,80	60.08
HTD3-65Z	61.31	58,35/62,35	60.35
HTD3-66Z	62.27	61.8	61.8
HTD3-67Z	63.22	62.35	62.35

ZAHNSCHEIBENTYP	DK	RINGGRÖSSE(N)	RINGDURCHMESSER
HTD3-68Z	64.18	62,35/65,48	63.92
HTD3-70Z	66.09	65.48	65.48
HTD3-71Z	67.04	65,48/68,15	66.82
HTD3-72Z	67.99	68.15	68.15
HTD3-73Z	68.95	68.8	68.8
HTD3-76Z	71.81	68,80/74,30	71.55
HTD3-79Z	74.68	74.3	74.3
HTD3-80Z	75.63	75.05	75.05
HTD3-81Z	76.59	75,05/77,57	76.31
HTD3-82Z	77.54	77.57	77.57
HTD3-84Z	79.45	77,57/80,90	79.24
HTD3-86Z	81.36	80.9	80.9
HTD3-87Z	82.32	80,90/84,10	82.5
HTD3-89Z	84.23	84.1	84.1
HTD3-91Z	86.14	84,10/87,25	85.68
HTD3-92Z	87.09	87.25	87.25
HTD3-96Z	90.91	87,25/93,65	90.45
HTD3-99Z	93.78	93.65	93.65
HTD3-100Z	94.73	94.13	94.13
HTD3-102Z	96.64	93,65/100,00	96.83
HTD3-103Z	97.5	94,13/100,00	97.07
HTD3-106Z	100.46	100	100
HTD3-112Z	106.19	100,00/112,75	106.38
HTD3-119Z	112.88	112.75	112.75

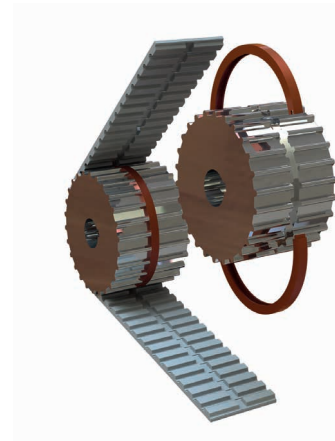
EASY DRIVE FÜR HTD 5M – PROFIL



ZAHNSCHEIBENTYP	DK	RINGGRÖSSE(N)	RINGDURCHMESSER
HTD5-14Z	21.14	21	21
HTD5-15Z	22.73	22,10/23,05	22.58
HTD5-16Z	24.32	24.2	24.2
HTD5-17Z	25.92	24,20/27,35	25.78
HTD5-18Z	27.5	27.35	27.35
HTD5-19Z	29.1	28.9	28.9
HTD5-20Z	30.69	30.5	30.5
HTD5-21Z	32.28	30,50/33,80	32.15
HTD5-22Z	33.87	33.8	33.8
HTD5-23Z	35.47	33,80/36,10	34.95
HTD5-24Z	37.06	36.83	36.83
HTD5-25Z	38.65	38.2	38.2
HTD5-26Z	40.24	40.05	40.05
HTD5-27Z	41.93	41,30/42,15	41.73
HTD5-28Z	43.42	43.25	43.25
HTD5-29Z	45.01	43,25/45,84	44.55
HTD5-30Z	46.61	46.55	46.55
HTD5-31Z	48.2	46,55/48,90	47.73
HTD5-32Z	49.79	49.7	49.7
HTD5-34Z	52.97	49,70/55,20	52.45
HTD5-36Z	56.16	56.02	56.02
HTD5-37Z	57.75	56,02/58,35	57.19
HTD5-39Z	60.93	58,35/62,35	60.35
HTD5-40Z	62.52	62.35	62.35
HTD5-41Z	64.11	62,35/65,48	63.92
HTD5-42Z	65.71	65.48	65.48
HTD5-43Z	67.3	65,48/68,80	67.14
HTD5-44Z	68.89	68.8	68.8
HTD5-46Z	72.07	68,80/74,30	71.55
HTD5-48Z	75.25	75.05	75.05
HTD5-49Z	76.85	75,05/77,57	76.31
HTD5-53Z	83.21	80,90/84,10	82.5
HTD5-54Z	84.8	84.1	84.1

ZAHNSCHEIBENTYP	DK	RINGGRÖSSE(N)	RINGDURCHMESSER
HTD5-55Z	86.4	84,10/87,25	85.68
HTD5-56Z	87.99	87.25	87.25
HTD5-58Z	91.17	87,25/94,13	90.69
HTD5-60Z	94.35	94.13	94.13
HTD5-62Z	97.54	94,13/100,00	97.07
HTD5-64Z	100.72	100	100
HTD5-68Z	107.05	100,00/112,75	106.38
HTD5-72Z	113.45	112.75	112.75
HTD5-80Z	126.18	125.45	125.45
HTD5-84Z	132.55	125,45/138,20	131.83
HTD5-88Z	138.92	138.2	138.2

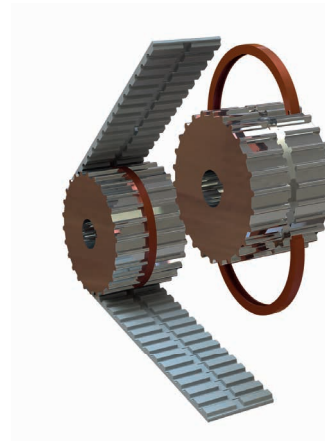
EASY DRIVE FÜR HTD 8M — PROFIL



ZAHNSCHEIBENTYP	DK	RINGGRÖSSE(N)	RINGDURCHMESSER
HTD8-20Z	49.56	48,90/49,70	49.3
HTD8-23Z	57.2	56,02/58,35	57.19
HTD8-25Z	62.29	61.8	61.8
HTD8-26Z	64.84	62,35/65,48	63.92
HTD8-27Z	67.38	65,48/68,15	66.82
HTD8-30Z	75.02	75.05	75.05
HTD8-31Z	77.57	77.57	77.57
HTD8-33Z	82.66	80,90/84,10	82.5
HTD8-35Z	87.76	87.25	87.25
HTD8-36Z	90.3	87,25/93,65	90.45
HTD8-40Z	100.49	100	100
HTD8-45Z	113.22	112.75	112.75
HTD8-50Z	125.95	125.45	125.45
HTD8-55Z	138.69	138.2	138.2

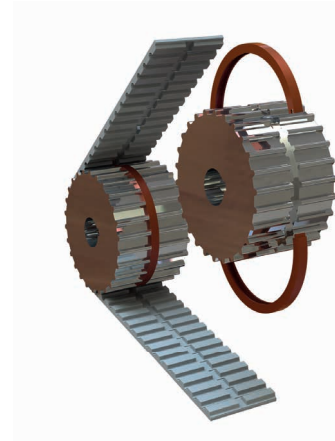
ZAHNSCHEIBENTYP	DK	RINGGRÖSSE(N)	RINGDURCHMESSER
MXL-77Z	49.29	48,90/49,70	49.3
MXL-78Z	49.94	49.7	49.7
MXL-79Z	50.29	49.7	49.7
MXL-82Z	52.53	49,70/55,20	52.45
MXL-86Z	55.12	55.2	55.2
MXL-87Z	55.76	55,20/56,02	55.61
MXL-88Z	56.41	56.02	56.02
MXL-89Z	57.06	56,02/58,35	57.19
MXL-90Z	57.7	56,02/58,35	57.19
MXL-91Z	58.35	58.35	58.35
MXL-92Z	59	58.35	58.35
MXL-94Z	60.29	58,35/61,80	60.08
MXL-95Z	60.94	58,35/62,35	60.35
MXL-96Z	61.58	61.8	61.8
MXL-97Z	62.23	61,80/62,35	62.08
MXL-98Z	62.88	62.35	62.35
MXL-99Z	63.52	61,80/65,48	63.64
MXL-100Z	64.17	62,35/65,48	63.92
MXL-102Z	65.46	65.48	65.48
MXL-103Z	66.11	65.48	65.48
MXL-104Z	66.76	65,48/68,15	66.82
MXL-105Z	67.4	65,48/68,80	67.14
MXL-106Z	68.05	68.15	68.15
MXL-107Z	68.7	68,15/68,80	68.48
MXL-108Z	69.35	68.8	68.8
MXL-111Z	71.29	68,80/74,30	71.55
MXL-112Z	71.93	68,80/74,30	71.55

EASY DRIVE FÜR 1/5 — PROFIL (XL)



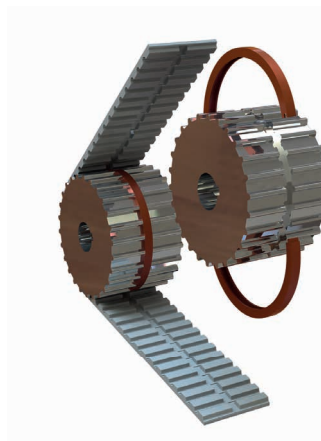
ZAHNSCHEIBENTYP	DK	RINGGRÖSSE(N)	RINGDURCHMESSER
XL-14Z	22.13	22.1	22.1
XL-15Z	23.75	23,05/24,20	23.63
XL-18Z	28.6	27,35/28,90	28.13
XL-22Z	35.07	33,80/36,10	34.95
XL-23Z	36.86	36.83	36.83
XL-24Z	38.3	38.2	38.2
XL-25Z	39.92	39,00/40,05	39.53
XL-26Z	41.35	41.3	41.3
XL-27Z	43.15	42,15/43,25	42.7
XL-28Z	44.77	43,25/45,84	44.55
XL-29Z	46.38	45,84/46,55	46.2
XL-30Z	48	46,55/49,70	48.13
XL-31Z	49.62	48,90/49,70	49.3
XL-33Z	52.85	49,70/55,20	52.45
XL-35Z	56.09	56.02	56.02
XL-36Z	57.7	56,02/58,35	57.19
XL-38Z	60.94	58,35/62,35	60.35
XL-39Z	62.55	62.35	62.35
XL-40Z	64.17	62,35/65,48	63.92
XL-41Z	65.79	65.48	65.48
XL-42Z	67.4	65,48/68,15	66.82
XL-43Z	69.02	68.8	68.8
XL-47Z	75.49	75.05	75.05
XL-48Z	77.11	75,05/77,57	76.31
XL-58Z	93.28	93.65	93.65
XL-59Z	94.89	94.13	94.13
XL-66Z	106.21	100,00/112,75	106.38
XL-70Z	112.68	112.75	112.75
XL-74Z	119.15	112,75/125,45	119.1
XL-78Z	125.62	125.45	125.45
XL-82Z	132.08	125,45/138,20	131.83
XL-86Z	138.55	138.2	138.2
XL-90Z	145.02	138,20/150,83	144.52

EASY DRIVE FÜR 3/8 — PROFIL (L)



ZAHNSCHEIBENTYP	DK	RINGGRÖSSE(N)	RINGDURCHMESSER
L-11Z	32.59	30,50/33,80	32.15
L-13Z	38.65	38.2	38.2
L-14Z	41.68	41.3	41.3
L-15Z	44.72	43,25/45,84	44.55
L-16Z	47.75	45,84/48,90	47.37
L-19Z	56.84	55,20/58,35	56.78
L-21Z	62.91	62.35	62.35
L-22Z	65.94	65.48	65.48
L-23Z	68.97	68.8	68.8
L-24Z	72	68,80/74,30	71.55
L-25Z	75.05	75.05	75.05
L-26Z	78.07	77.57	77.57
L-27Z	81.1	80.9	80.9
L-28Z	84.13	84.1	84.1
L-29Z	87.16	87.25	87.25
L-30Z	90.2	87,25/93,65	90.45
L-46Z	138.71	138.2	138.2
L-48Z	144.77	138,20/150,83	144.52
L-50Z	150.83	150.83	150.83

EASY DRIVE FÜR 1/2 – PROFIL (H)



ZAHNSCHEIBENTYP	DK	RINGGRÖSSE(N)	RINGDURCHMESSER
H-14Z	55.23	55.2	55.2
H-16Z	63.31	62.35	62.35
H-17Z	67.35	65,48/68,80	67.14
H-18Z	71.39	68,80/74,30	71.55
H-19Z	75.44	75.05	75.05
H-20Z	79.48	77,57/80,90	79.24
H-22Z	87.56	87.25	87.25
H-23Z	91.61	87,25/94,13	90.69
H-33Z	132.03	125,45/138,20	131.83